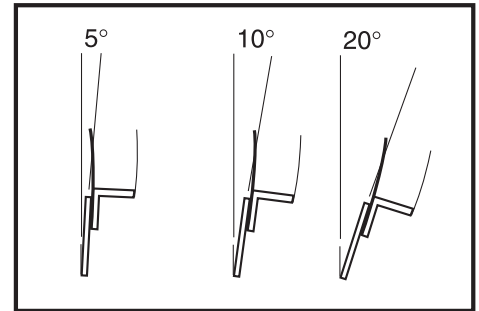


Full Trip Reversible

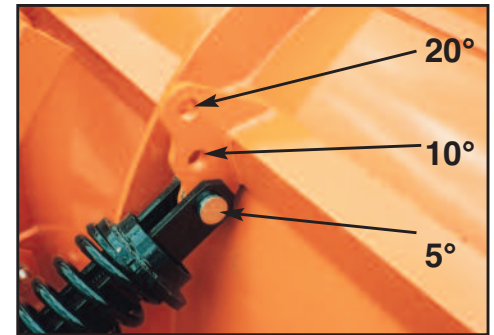


- Moldboard Thickness: 10 Gauge
- No. of 1/2" Vertical Ribs: 6
- Moldboard Reinforcing: (6) - 1 piece, 1/2" Flame Cut Ribs
- Moldboard Top Angle: 2" x 3" x 3/8"
- Adjustable Moldboard Pitch Settings: 5°, 10°, 20°
 - Semi-Circle: 3 1/2" x 3 1/2" x 1/2" A36 Hot Rolled Angle
- Bottom Moldboard Angle: 3/4" x 4" x 4"
- Reversing Cylinders: (2) 3" x 10" Double Acting
- Reversing Limits (left & right): 35°
- Plow to Table Hinge Points: 4
- Cutting Edge: 3/8" x 8" Top Punched
- Pivot Pin: 1 1/4" Stopped
- Cylinder Pins: 1 1/4"
- Lift System: Built-In Level Lift



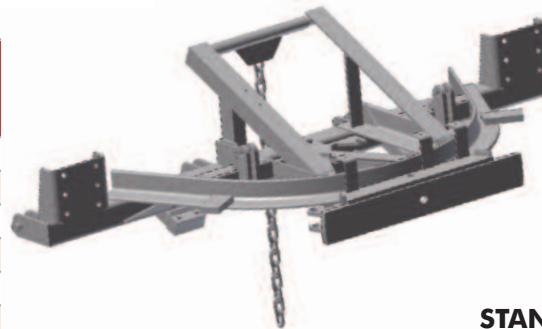
Force Required to Trip Moldboard

LIGHT TRIP **MEDIUM TRIP** **HARD TRIP**



Simple Three Position Adjustment for Plow Cutting Edge Attack Angle

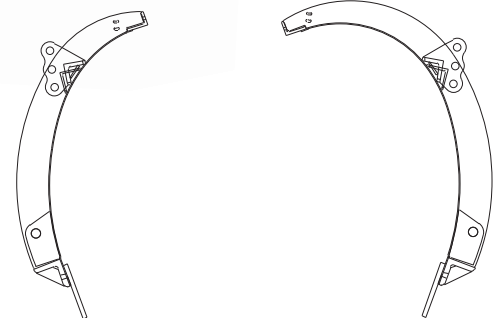
| Plow Model No. | Overall Length | Height w/ 3/8" x 8" Cutting Edge | Approx. Weight (lbs) |
|----------------|----------------|----------------------------------|----------------------|
| MP36R10-CT | 10' | 36" | 1475 |
| MP36R10-ISCT | 10' | 36" | 1500 |
| MP41R10-CT | 10' | 41" | 1575 |
| MP41R10-ISCT | 10' | 41" | 1575 |
| MP36R11-CT | 11' | 36" | 1500 |
| MP36R11-ISCT | 11' | 36" | 1525 |
| MP41R11-CT | 11' | 41" | 1625 |
| MP41R11-ISCT | 11' | 41" | 1650 |
| MP48R11-CT | 11' | 48" | 1755 |
| MP48R11-ISCT | 11' | 48" | 1800 |
| MP36R12-CT | 12' | 36" | 1520 |
| MP36R12-ISCT | 12' | 36" | 1700 |
| MP41R12-CT | 12' | 41" | 1695 |
| MP41R12-ISCT | 12' | 41" | 1725 |
| MP48R12-CT | 12' | 48" | 1845 |
| MP48R12-ISCT | 12' | 48" | 2000 |



The Patented Level Lift allows plow to be parallel to the road surface at all times - raised, lowered, or angled.

STANDARD

INTEGRAL



Standard Moldboard vs Integral Shield Moldboard



Q) When would I use a full trip reversible straight blade plow?

A) This plow is used for municipal, commercial, airport and off road plowing. Our most versatile, general purpose snowplow. Full trip is when the cutting edge hits an immovable object no higher than the center of the moldboard hinge points and the whole moldboard moves forward until the cutting edge goes past center and slides over the object. The dual compression trip assemblies return the plow to plowing position once the obstacle is cleared.

