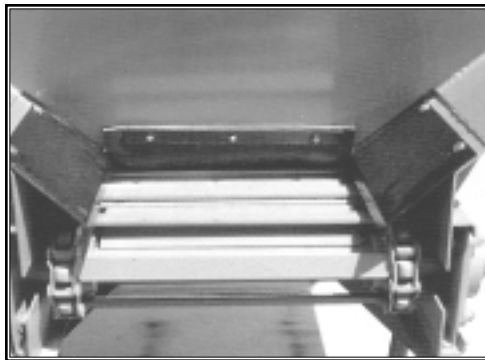




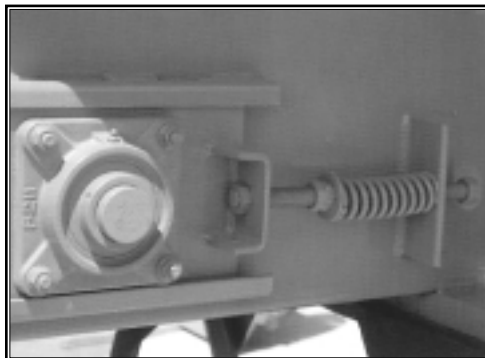
MONROE MSV TWIN SPINNER SPREADER



Monroe Snow & Ice Control spreaders are designed and built for long lasting, heavy duty, reliable service - available in 304 or 409 stainless and mild steel, sizes from 8'-17' in either a slide-in or chassis mount.



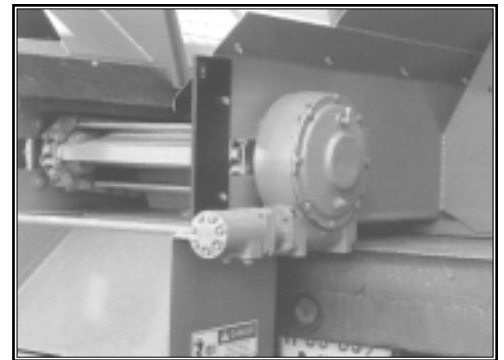
**REPLACEABLE CHAIN SHIELDS,
FRONT & REAR WIPERS**



**SPRING LOADED TAKE-UP
H.D. 4 BOLT BEARING 2" IDLER**

MTE STANDARD FEATURES INCLUDE

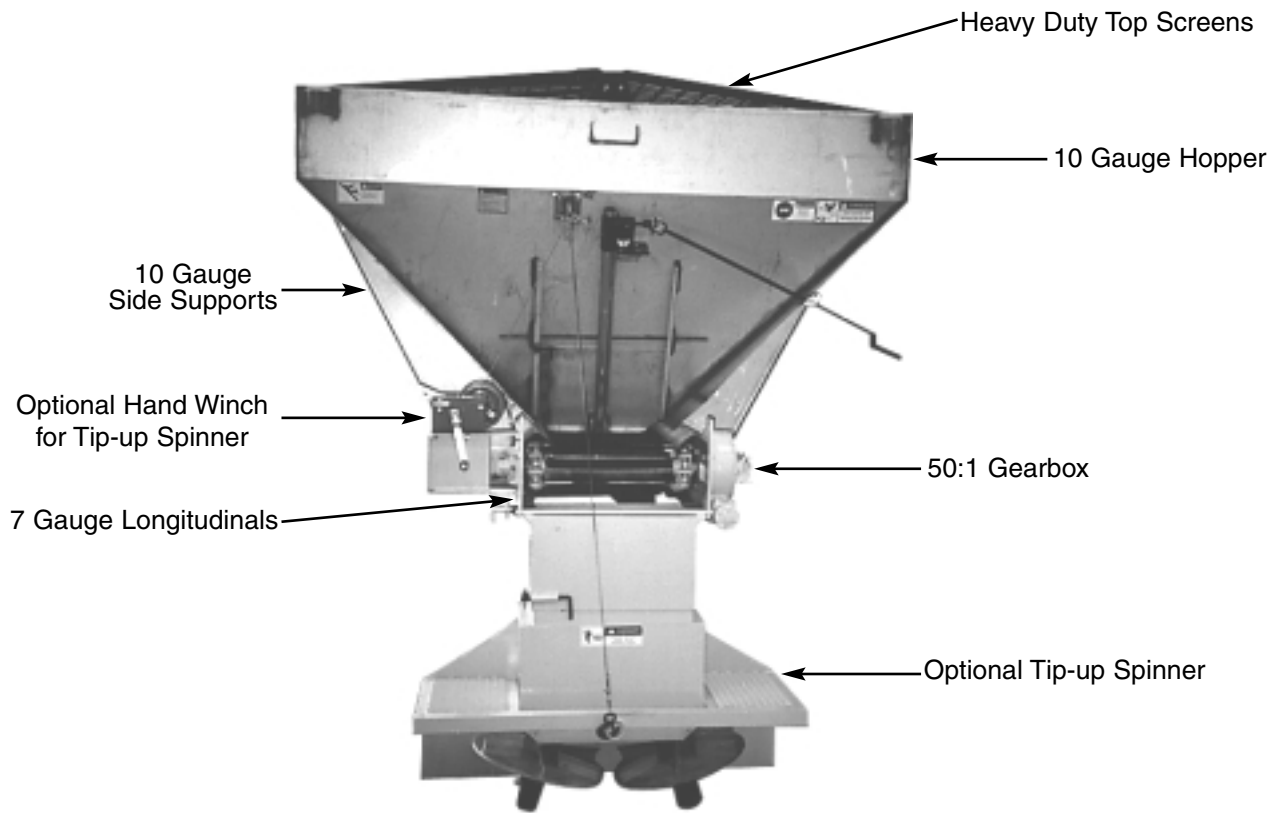
- Tip-up Spinner
- H.D. 4 Bolt Flange Bearings
- 2" Idler Shaft
- Spring Loaded Chain Take-up Bearing
- Front & Rear Wipers
- Bolt-on 6" I-Beam
- Top Screens
- Servo Adapter
- 10 Ga. Replaceable Chain Shields
- $\frac{3}{16}$ " Replaceable Floor
- $\frac{3}{8}$ " x 1 $\frac{1}{2}$ " Bar - Flights
- 50:1 Gearbox w/2" Driveshaft



**H.D. GEARBOX
2" SHAFT SERVO ADAPTER**



TWIN SPINNER



Hopper Size Cubic Yard Capacity

Height \ Length	50"	56"	62"	68"
8'	4.7	5.7	6.7	N/A
9'	5.1	6.2	7.4	N/A
10'	5.6	6.9	8.3	9.5
11'	6.2	7.6	9	10.3
12'	6.8	8.4	9.9	11.5
13'	7.3	9	10.7	12.3
14'	7.9	9.7	11.6	13.5
15'	8.4	10.3	12.2	14.2
16'	9.3	11.4	13.5	15.5
17'	9.9	12.1	14.3	16.5

Product updates and specifications are subject to change without notice.

Manufactured by:

Monroe Truck Equipment
 Snow & Ice Control Division
 1051 W. 7th Street
 Monroe, WI 53566
 Phone: 800-880-0109
 Fax: 608-328-8390

Distributed by: