



High Speed Slotted Trip One-Way Snowplow



VISIT US ONLINE AT
www.monroetruck.com

STANDARD SPECIFICATIONS

- ➡ 100% Continuously Welded Moldboard
- ➡ Discharge End Reinforced with 1/2" Rod and Horizontal Bracing
- ➡ 21" Push Height Standard 14" Optional
- ➡ 37° Fixed Plowing Angle
- ➡ Shear Bolt Equipped Stabilizer Arm Allows for Change in Moldboard Pitch from 20° to 50°
- ➡ Ratchet Adjustable Skid Shoes

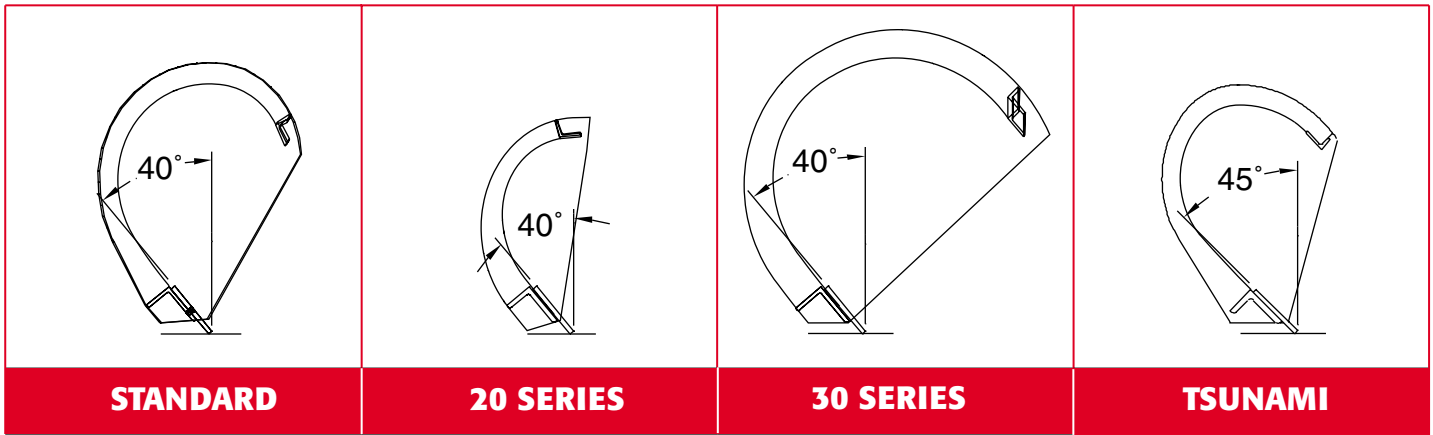
OPTIONS

- ➡ Rubber Snow Deflector
- ➡ Cast Iron Moldboard Shoe
- ➡ Wrap-Around Curb Guard
- ➡ Parking Jack
- ➡ Removable Screw Adjustable Parking Jack
- ➡ Flexible Plastic or Cable Markers



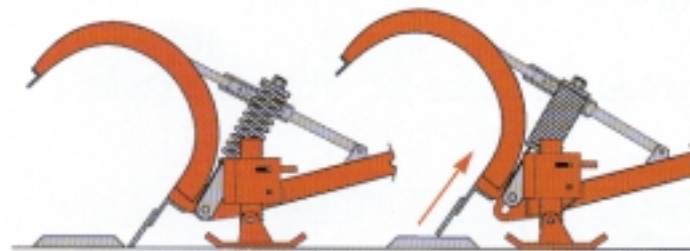
Tsunami Plow





SPECIFICATIONS

Plow Model No.	Moldboard Length	Moldboard ½" Vert Ribs	Moldboard Ht-Nose	Cutting Edge Ht-Discharge	Cutting Length-Cntr Punch	Min. Push Width	Approx. Frame Ht.	Approx. Weight
STANDARD								
MPHS 26-54-11	13'10"	7	26"	54"	⅝" x 8" x 11'	108"	21"	2250#
MPHS 26-56-12	14'9"	7	26"	56"	⅝" x 8" x 12'	120"	21"	2310#
MPHS 35-64-11	14'4"	7	35"	64"	⅝" x 8" x 11'	108"	24"	2410#
MPHS 35-66-12	15'10"	7	35"	66"	⅝" x 8" x 12'	120"	21"	2470#
MPHS 45-72-11	14'4"	7	45"	72"	⅝" x 8" x 11'	108"	21"	2450#
MPHS 45-74-12	15'10"	7	45"	74"	⅝" x 8" x 12'	120"	21"	2525#
20 SERIES								
MPHS25-67-11-OWIS	13'6"	7	25"	67"	⅝" x 8" x 11'	108"	21"	2155#
MPHS23-69-12-OWIS	14'7"	7	23"	69"	⅝" x 8" x 12'	120"	21"	2263#
30 SERIES								
MPHS36-62-11-OWIS	14'3"	7	36"	62"	⅝" x 8" x 11'	108"	21"	2537#
MPHS35-63-12-OWIS	15'4"	7	35"	63"	⅝" x 8" x 12'	120"	21"	2680#
TSUNAMI								
MPHS31-72-11	14'5"	7	31"	72"	⅝" x 8" x 11'	108"	21"	2420#
MPHS31-74-12	15'4"	7	29"	74"	⅝" x 8" x 12'	120"	21"	2480#



Slotted Trip Moldboard shown tripping over obstacle.

Manufactured by:
 Monroe Snow & Ice Control
 1051 W. 7th Street • Monroe, WI 53566
 800-880-0109 • 608-329-8105
 608-328-8390 Fax
 Web Site: www.monroetruck.com
 E-mail: snowandicecontrol@monroetruck.com

Distributed by:

 HIGHSPEEDSLOTTEDTRIPONEWAY03202002