

Spreader Valve

PSM1000MK

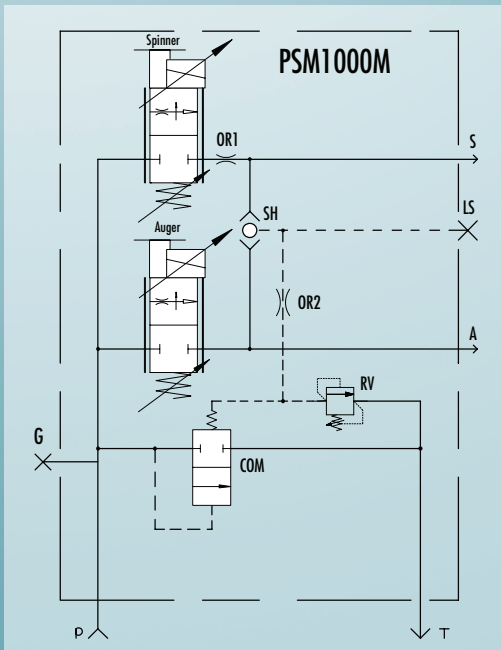
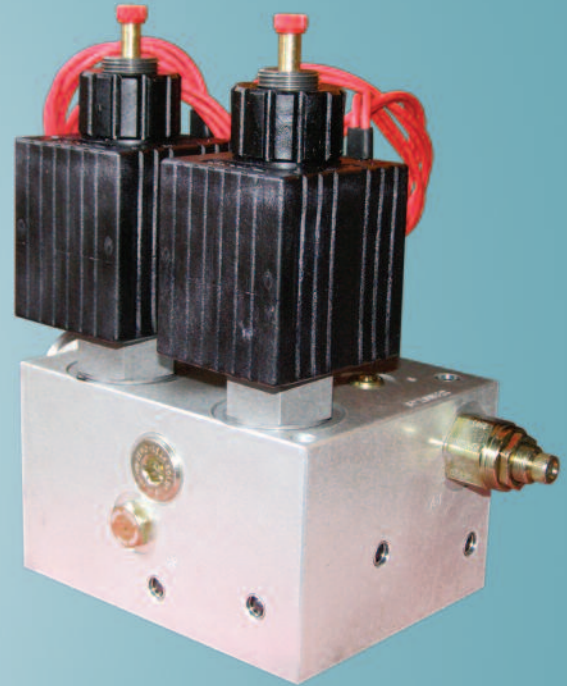
The PSM1000MK is a compact stand-alone electro-proportional control valve for most 2-function spreader applications. This valve provides independent control of both auger and spinner hydraulic flow.

Features:

- Pressure compensated flow for most tailgate and v-box spreaders
- Feed rate proportional cartridge - 16 GPM
- Spinner proportional cartridge - 7 GPM
- Accommodates gear (fixed displacement) and load sense pumps
- Manual override
- Equipped with system safety relief
- Standard SAE ports
- Pressure to 3,000 PSI
- Compatible with most electronic spreader controls

Available Options:

- MC20, 2-function electronic control
- MC24, 2-function electronic control with 4 auxiliary switches
- Frame-mounted steel valve enclosure



www.monroetruck.com